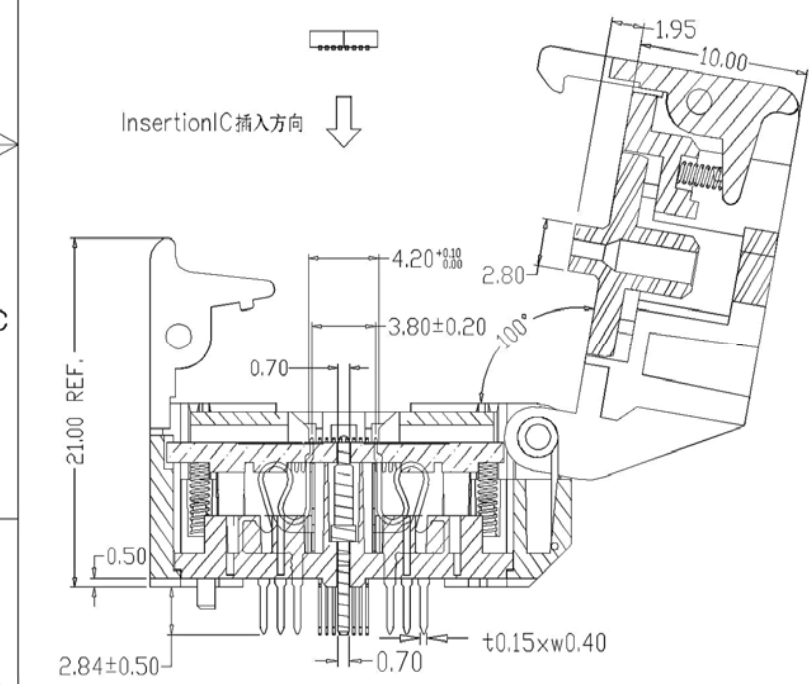
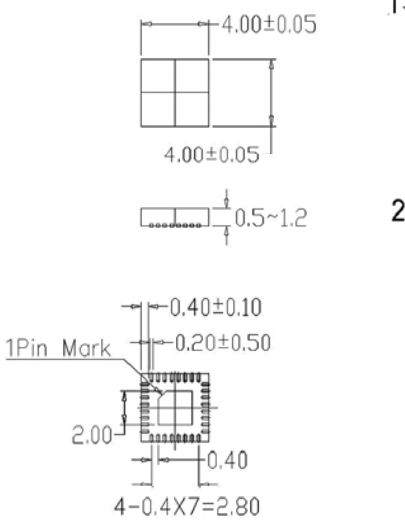


PCB PATTERN (Top View)



SEC.A-A S=2/1



APPLICABLE IC S=2/1

1. MATERIAL AND FINISH

- 1、 SOCKET LID :PEI
- 2、 SOCKET BASE :PEI
- 3、 CONTACTS :BeCu,SELECTIVE Au-AuFLASH OVER NI PLATING
- 4、 SPRINGS :STAINLESS STEEL ,PASSIVATED

2. SPECIFICATION

- 1、 INSULATION RESISTANCE : 1000Mohm or more at 100VDC.
- 2、 DIELECTRIC WITHSTANDING VOLTAGE: 100VAC for one minute.
- 3、 CONTACT RESISTANCE: 100mohm or less at 20mV (initial).
- 4、 OPERATION TEMPERATURE : -40°C~+150°C
- 5、 CONTACT FORCE: 0.343N(35gf)/pin (approx).

△ C				DWG NO		PART NAME	QFN-p0.4-32P(4.0X4.0)
△ B				MATERIAL	SCALE	1:1	TITLE
△ A				QTY	1	UNIT	mm
REV	DESCRIPTION	DATE	CHECK	SHEET	1 OF 1	REV	01
APPLICATION				APPROVE	DATE		
ANGLES	FINISH	ROUGH	ME	0.X:±0.1	CHECK	DATE	
ALL UNSPECIFIED CHAMFERS:00.2				TRIC	0.XX:±0.05	DEGK	DATE
							20140512

